



WIP5VDV5

WISH IP H.265 5MP IR Varifocal STARVIS Vandal Dome Camera

The WIP5VDV5 is a True Day/Night, 5MP IP IR Vandal Dome Camera with a 2.8-12mm Varifocal Lens. With an effective IR range of 50m in ideal conditions and, **SONY Starvis Sensor**. DC12V

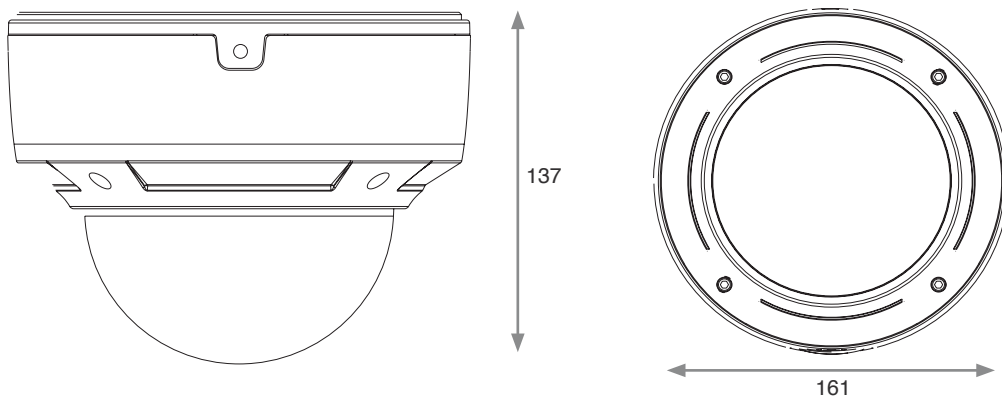


WIP5VDV5

Key Features

- 5MP Resolution
- H.265 Video Compression
- RTSP Streaming with or without Authentication
- Mirror & Flip Image
- Multiple Privacy Masking
- Alarm Trigger and Alarm Input with Programmable Schedule
- Supports Own App on Smart Phones & Tablets
- Up to 50m IR Distance (In Ideal Conditions)
- 2.8 – 12mm Varifocal Lens
- MIC / Line in G.711A / U Audio Codec
- 3D DNR
- Digital WDR
- CVBS Local Video
- True Day / Night
- Two Way Audio
- Configuration Backup
- Image Export to Micro SD Card
- Sony Starvis Sensor

Dimensions (mm)





Technical Specification

Model Number	WIP5VDV5
Image Sensor	1/1.8"CMOS
Image Pixels	2592x1944
Electronic Shutter	1/25s ~ 1/100,000s
Minimum Illumination	0.01 Lux (IR LED ON)
Lens	2.8 - 12mm
WDR	Yes
3D DNR	Yes
Video Compression	H.265 / H.264 / MJPEG
Resolution	5MP (2048 x 1536), 1080P (1920 x 1080), 720P (1280 x 720), D1, CIF, 480 x 240
Multi-Stream	5MP (1-30fps) / 1920 x 1080 (1-30fps) 1280 x 720 (1-10fps) / D1 (1-30fps) / CIF (1-30fps) CIF (1-30fps) / 480 x 240 (1-30fps)
Bit Rate	64Kbps ~ 10Mbps
Encode Mode	VBR / CBR
Quality	Five Levels Under VBR, Freely Adjustable Under CBR
Image Settings	ROI Coding, Saturation, Brightness, Chroma, Contrast, Wide Dynamic, Sharpen, NR, etc Adjustable through Client Software or Web Browser
Network Interface	RJ45
Audio Interface	Two Way Audio (MIC In x1, MIC Out x1)
Video Output	CVBS Video Output (BNC x1)
RS485	Yes
Alarm Input	1 Ch
Alarm Output	1 Ch
Remote Monitoring	IE Browsing, CMS Remote Control
Online Connection	Support Simultaneous Monitoring for up to 10 Users Support Multi-Stream Real Time Transmission
Protocol	TCP/IP, UDP, DHCP, NTP, RTSP, PPPoE, DDNS, SMTP, FTP
Storage	MicroSD (Up to 128GB)
Smart Alarm	Motion Alarm, Sensor Alarm
Day & Night	ICR
PoE	Yes
IR Distance	Up to 50m (In Ideal Conditions)
IP Rating	IP66
Power Supply	DC12V / PoE
Power Consumption	<3W
IR ON	<5.5W
Operating Conditions	Temperature: -20°C ~ 50°C Humidity: 10% ~ 90%
Dimensions (Ø x H)	Ø161 x 137 mm
Weight	1255g

Genie CCTV reserves the right to change specifications without notice. Please contact your representative to confirm current specifications.

Accessories

- FILTERKIT4 - Filter Set Up Kit
- PSU2SM - In-Line DC12V 2A Output, Regulated Switch Mode PSU with Fixing Mount
- POE-INJ01 - PoE Injector, Single Port
- WIPJBVDV - Junction Box for Varifocal Lens Vandal Domes
- WIPWVDV - Wall Mount Bracket
- WIPCVDV - Ceiling Mount Bracket
- GAIPLEAD - IP Audio Lead

